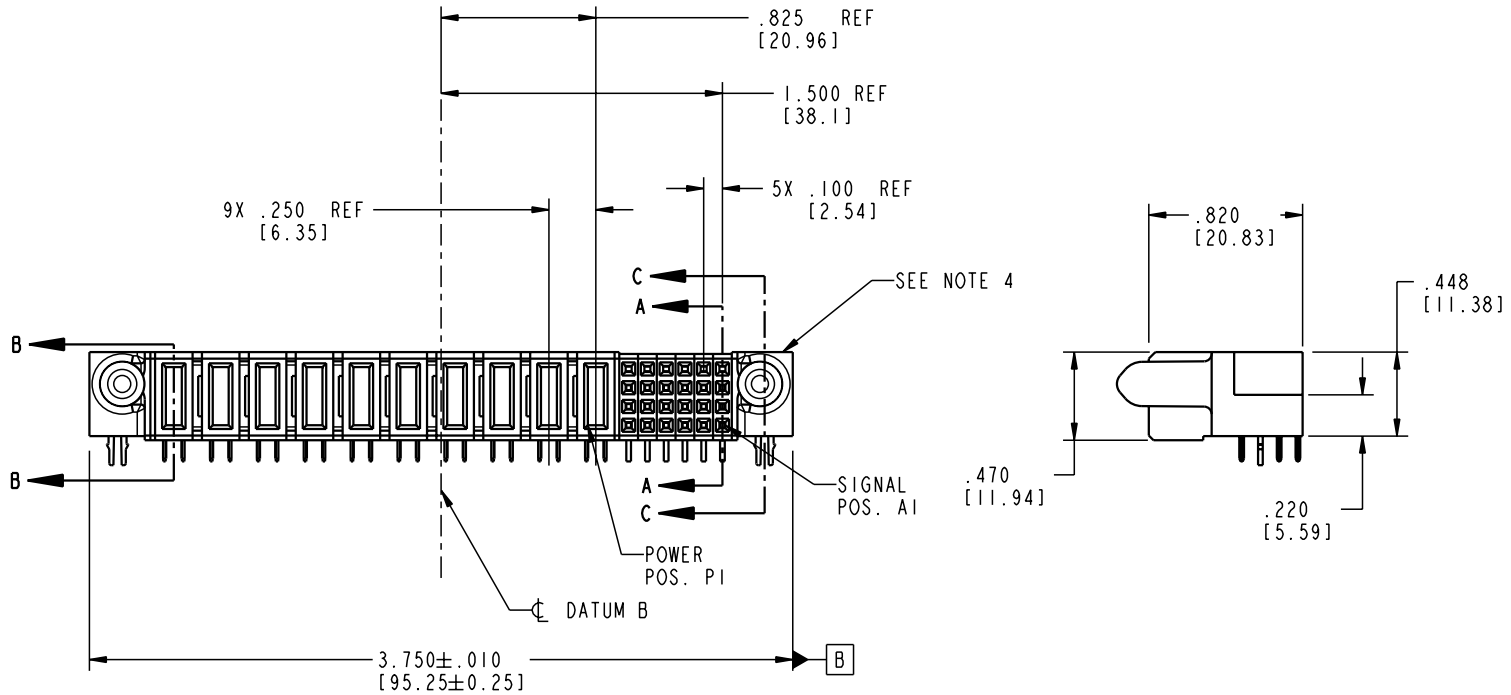
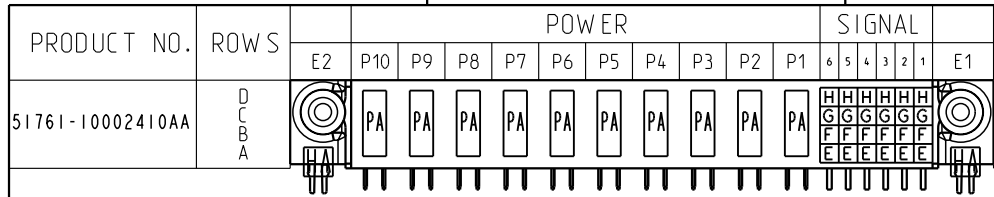


Tous droits strictement réservés. Reproduction ou communication a des tiers interdite sous quelque forme que ce soit sans autorisation écrite du propriétaire. Propriete de c FCI. Droits de reproduction FCI.

All rights strictly reserved. Reproduction or issue to third parties in any form whoever is not permitted without written authority from the proprietor. Property of FCI. Copyright FCI.



| CODE | DIM "M" MATING LENGTH | CONTACT TYPE |
|------|-----------------------|--------------|
| PA | .042 [1.07] | POWER |
| H | N/A [N/A] | SIGNAL |
| G | N/A [N/A] | SIGNAL |
| F | N/A [N/A] | SIGNAL |
| E | N/A [N/A] | SIGNAL |
| HA | N/A [N/A] | HOLD-DOWN |

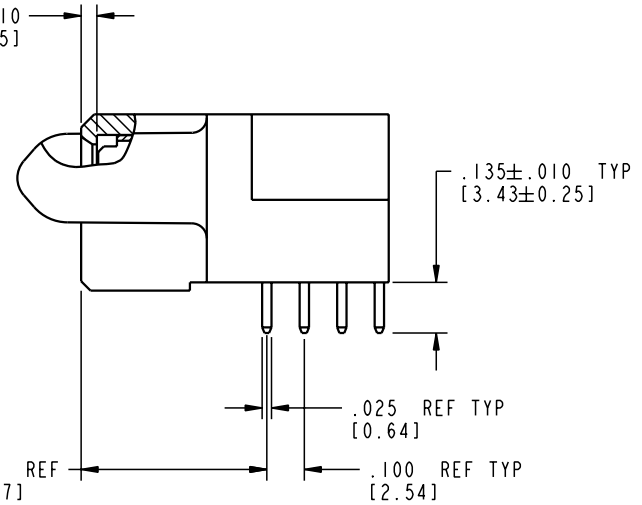
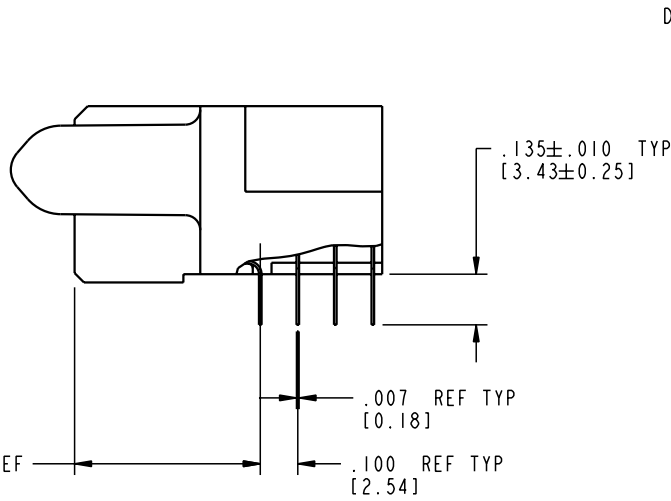
| | | | | | | | | | | | |
|-------------|----------|-----|--------|------------|--------------|---------------------------------------|--|-----------------------|--|------------------------|--|
| mat'l code | | | | SEE NOTE 2 | | tolerances unless otherwise specified | | CUSTOMER | | www.fciconnect.com | |
| ltr | ecn no. | dr | date | linear | projection | COPY | | title | | product family | |
| A | V03-0749 | MEM | 7/7/03 | | | A | | 24S + 10P | | PwrBlade | |
| | | | | angles | | INCH/MM | | R/A SOLDER RECEPTACLE | | code | |
| | | | | dr | M. MOSTOLLER | 1:1 | | size | | 213 | |
| | | | | enrg | M. MOSTOLLER | | | A | | sheet | |
| | | | | chr | H. BREWBAKER | | | 51761-10002410AA | | 1 of 4 | |
| | | | | appd | M. MOSTOLLER | | | cage code | | 22526 | |
| sheet index | revision | A | A | A | A | | | | | | |
| | sheet | 1 | 2 | 3 | 4 | | | | | | |

Pro/E cage code 22526

Tous droits strictement reserves. Reproduction ou communication a des tiers interdite sous quelque forme que ce soit sans autorisation ecrite du proprietaire. Propriete de c FCI. Droits de reproduction FCI.

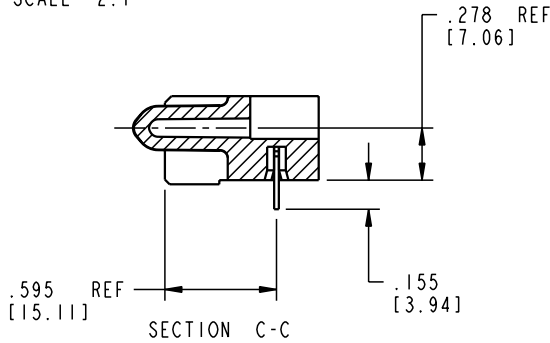
All rights strictly reserved. Reproduction or issue to third parties in any form whatever is not permitted without written authority from the proprietor. Property of FCI. Copyright FCI.


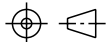
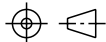
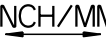
PRODUCT NUMBER
51761-10002410AA



BROKEN-OUT SECTION A-A
SCALE 2:1

BROKEN-OUT SECTION B-B
SCALE 2:1



| | | | | | | | | | | | |
|-------------|----------------|----|------|------------|---|---|---|----------|--|---|------|
| mat'l code | | | | SEE NOTE 2 | | tolerances unless otherwise specified | | CUSTOMER | |  www.fciconnect.com | |
| ltr | ecn no. | dr | date | linear | $.XX \pm .01 / 0.X \pm 0.3$ $.XXX \pm .005 / 0.XX \pm 0.13$ $.XXXX \pm .0020 / 0.XXX \pm 0.051$ | projection | COPY | | title | | |
| A | | | | angles | $0^\circ \pm 2^\circ$ |  |  | | 24S + 10P R/A SOLDER RECEPTACLE | | |
| | | | | dr | M. MOSTOLLER 7/7/03 |  | product family | | PwrBlade | | code |
| | | | | enr | M. MOSTOLLER 7/7/03 | | size | dwg no | | 213 | |
| | | | | chr | H. BREWBAKER 7/7/03 | | scale | A | | 51761-10002410AA | |
| | | | | appd | M. MOSTOLLER 7/7/03 | | 1:1 | sheet | | 2 of 4 | |
| sheet index | revision sheet | | | | | | | | | | |

cage code 22526

Pro/E

Tous droits strictement réservés. Reproduction ou communication a des tiers interdite sous quelque forme que ce soit sans autorisation écrite du propriétaire. Propriété de c FCI. Droits de reproduction FCI.

All rights strictly reserved. Reproduction or issue to third parties in any form whatever is not permitted without written authority from the proprietor. Property of FCI. Copyright FCI.

PRODUCT NUMBER
51761-10002410AA

$\varnothing .098 \pm .003$
[2.49 ± 0.07]
SEE NOTE 8
⊕ $\varnothing .004$ [0.1] X Y Z

3X .100 TYP
[2.54]

$\varnothing .040 \pm .003$
[1.02 ± 0.07]
SEE NOTE 9
⊕ $\varnothing .004$ [0.1] X Y Z

.150 TYP
[3.81]

.050 TYP
[1.27]

.100 TYP
[2.54]

DIM XXX
SEE NOTE 10

1.890 SEE NOTE 11
[48.01]

.825
[20.96]

9X .250
[6.35]

1.500
[38.1]

5X .100
[2.54]

SEE NOTE 11
3 SIDES

.610
[15.49]
SEE NOTE 11


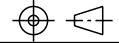
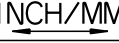
2X .250
[6.35]

3.450
[87.63]

3.780 SEE NOTE 11
[96.01]

PCB EDGE

PCB LAYOUT
AND DATUM B \varnothing

| | | | | | | | | | | | | | | | | | | | |
|------------|---------|----|------|-------------|---|----------------|--------------|---|--|--|----------------------------|---|--|--|--|---|--|--|--|
| mat'l code | | | | SEE NOTE 2 | | | | tolerances unless otherwise specified | | | | CUSTOMER | | | |  www.fciconnect.com | | | |
| ltr | ecn no. | dr | date | linear | $.XX \pm .01 / 0.X \pm 0.3$ $.XXX \pm .005 / 0.XX \pm 0.13$ $.XXXX \pm .0020 / 0.XXX \pm 0.051$ | | | projection  | | | | title 24S + 10P R/A SOLDER RECEPTACLE | | | | | | | |
| | | | | angles | $0^\circ \pm 2^\circ$ | | |  INCH/MM | | | | product family PwrBlade | | | | | | | |
| | | | | dr | M. MOSTOLLER | 7/7/03 | scale 1:1 | | | | code 213 | | | | | | | | |
| | | | | enr | M. MOSTOLLER | 7/7/03 | | | | | size A | | | | | | | | |
| | | | | chr | H. BREWBAKER | 7/7/03 | | | | | product family PwrBlade | | | | | | | | |
| | | | | appd | M. MOSTOLLER | 7/7/03 | | | | | size A | | | | | | | | |
| | | | | sheet index | | revision sheet | | | | | | size 3 of 4 | | | | | | | |

cage code 22526

Pro/E

PDM: Rev:A

STATUS: Released

Printed: Aug 14, 2007

PRODUCT NUMBER

51761-10002410AA

NOTES:

1. DIMENSIONS AND TOLERANCES ARE IN ACCORDANCE WITH ASME Y14.5M, 1994 UNLESS OTHERWISE SPECIFIED.

CONNECTOR NOTES:

- 2. HOUSING MATERIAL: UL 94 V-0 GLASS FILLED
HIGH-TEMP THERMOPLASTIC
POWER CONTACT MATERIAL: COPPER ALLOY
SIGNAL PIN MATERIAL: COPPER ALLOY
 - 3. PLATING:
SIGNAL PINS: 30u"/0.76um Au OVER 50u"/1.27um Ni
POWER CONTACTS: 50u"/1.27um Ni UNDER ALL
WITH 30u"/0.76um Au ON CONTACT AREA
AND SnPb ON PCB INTERFACE
 - 4. MANUFACTURER'S NAME, P/N, AND DATE CODE TO APPEAR ON THIS SURFACE.
 - 5. PRODUCT SPECIFICATION GS-12-149.
APPLICATION SPECIFICATION BUS-20-067.
 - 6. PACKAGED IN TRAYS.
- PCB NOTES:
- 7. ALL HOLE DIAMETERS ARE FINISHED HOLE SIZE.
 - 8. MOUNTING HOLES, WHERE APPLICABLE, ARE UNPLATED.
 - 9. $\varnothing .0453 \pm .0010$ [1.151 \pm 0.025] DRILLED HOLES PLATED WITH .0003 [0.008] MIN SnPb OVER .001 [0.03] TO .003 [0.08] Cu PLATING TO ACHIEVE $\varnothing .040 \pm .003$ [1.02 \pm .07] HOLE.
 - 10. "DIM XXX" TO BE DETERMINED BY THE CUSTOMER.
 - 11. CONNECTOR KEEP-OUT ZONE.

Tous droits strictement reserves. Reproduction ou communication a des tiers interdite sous quelque forme que ce soit sans autorisation ecrite du proprietaire. Propriete de c FCI. Droits de reproduction FCI.



All rights strictly reserved. Reproduction or issue to third parties in any form whatever is not permitted without written authority from the proprietor. Property of FCI. Copyright FCI.

| | | | | | | | | | | | | |
|-------------|----------------|----|------|------------|--------------|---------------------------------------|-----|----------|--|---|--|--|
| mat'l code | | | | SEE NOTE 2 | | tolerances unless otherwise specified | | CUSTOMER | | www.fciconnect.com | | |
| ltr | ecn no. | dr | date | linear | projection | COPY | | title | | 24S + 10P R/A SOLDER RECEPTACLE | | |
| A | | | | | | | | | | product family PwrBlade code 213 size dwg no 51761-10002410AA sheet 4 of 4 | | |
| | | | | angles | | INCH/MM | | scale | | A | | |
| | | | | dr | M. MOSTOLLER | 7/7/03 | 1:1 | | | | | |
| | | | | enr | M. MOSTOLLER | 7/7/03 | | | | | | |
| | | | | chr | H. BREWBAKER | 7/7/03 | | | | | | |
| | | | | appd | M. MOSTOLLER | 7/7/03 | | | | | | |
| sheet index | revision sheet | | | | | | | | | | | |